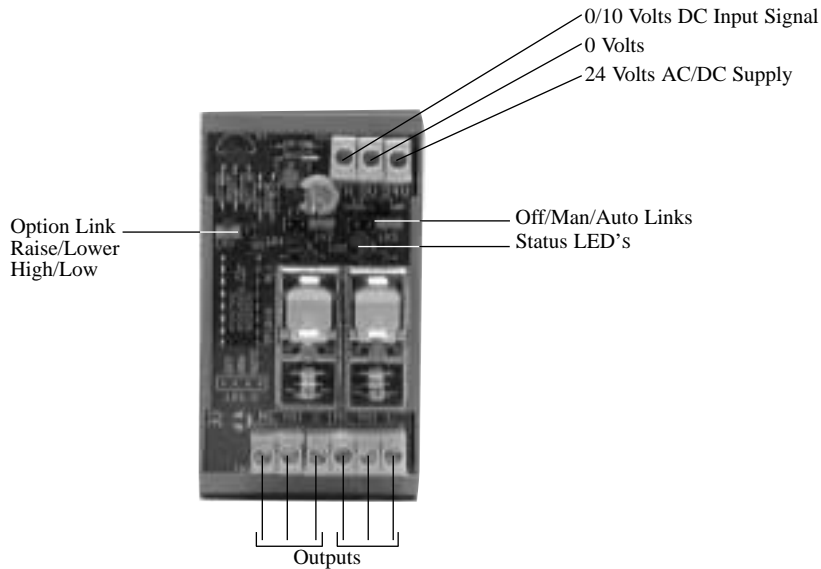


INPUT/OUTPUT MODULE:- IO/2RM RAISE/LOWER & HIGH/LOW



Switching Voltages	Raise/Lower		High/Low	
	R1	R2	R1	R2
0	OFF	OFF	OFF	OFF
3	ON	OFF	ON	OFF
6	OFF	OFF	ON	OFF
9	OFF	ON	ON	ON

DESCRIPTION

Used to convert an analogue 0-10 volt control signal to digital relay switching, the IO/2RM offers two selectable control options :-

Option 1) Raise/Lower to operate a motorised valve, damper motor or step controller.

Option 2) High/Low to provide two stage step switch control. The IO/2RM module is suitable for use with most BMS controllers such as Andover, Alerton, JEL, Trend, Satchwell, York etc.

FEATURES

- * AC or DC Supply
- * Converts 0-10 volts to relay control
- * Low Current input 0.5mA max
- * Two selectable output options
- * Volt Free Changeover contacts
- * LED status indication
- * Off/Man/Auto Link Options
- * DIN Rail mounting

SPECIFICATION

Input:-	0-10 Volts DC (load 0.5mA max)
Output Contacts:-	Volt Free 5A at 240V ac (inductive)
Switching Volts:-	See Table
Selectable Options:-	- Raise/Lower or High/Low - Off/Man/Auto
Power Supply:-	24V AC/DC ($\pm 10\%$ @ 55mA)
LED indication:-	When relays energised
Terminals:-	Max cable size 2.5mm
Operating Temperature:-	-10 to + 40°C
Dimensions:-	82mm High 45mm Wide 50mm Deep
Mounting:-	DIN Rail



Measurement Devices for Control Systems

Titan Products Ltd.
Unit 7 Southside, Bredbury Park Industrial Estate, Bredbury
Stockport SK6 2SP England.
Tel :- 0161 406 6480 Fax :- 0161 494 8309
E-mail: admin@titanproducts.com
Website: www.titanproducts.com

© Copyright Titan Products Ltd. 2000