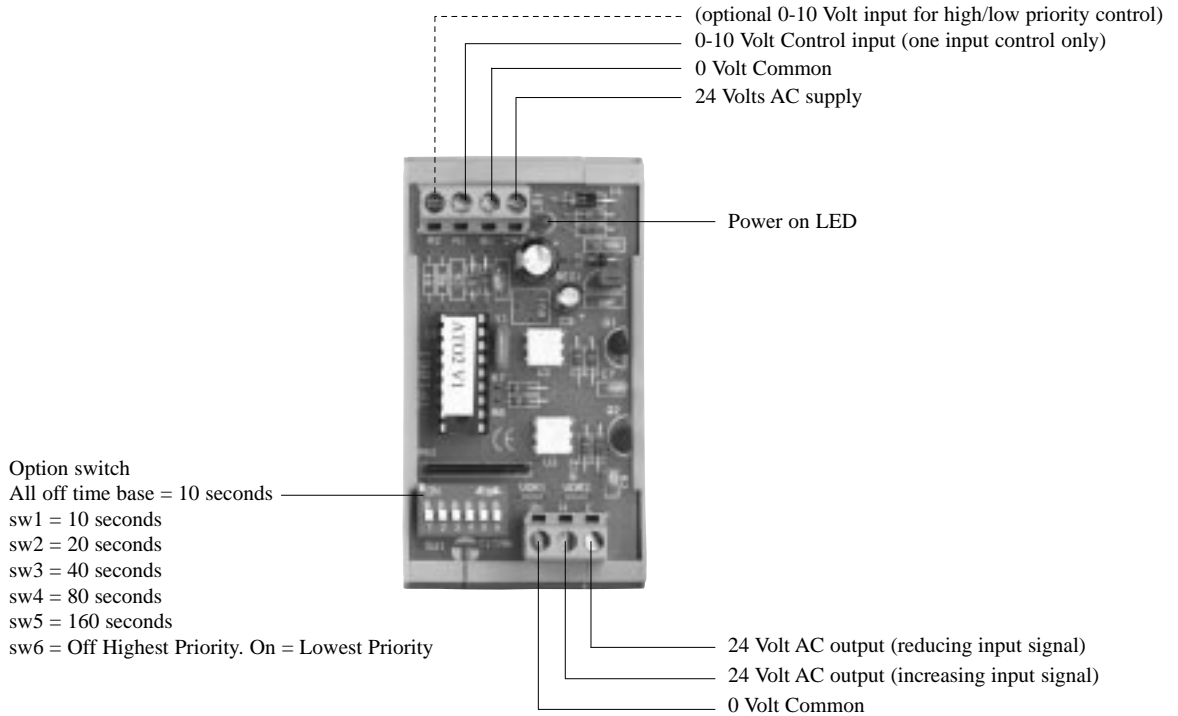


INPUT/OUTPUT MODULE:- IO/ATO2 Pulsed Width Modulation



DESCRIPTION

The IO/ATO2 is designed to provide a pulsed width modulated output of 24V AC (Triac Switching) from a 0-10 Volt control signal. The pulsed width modulation time base is variable which enables the controlled output to match the actuator travel time.

IO/ATO2 also incorporates an option for two 0-10 Volts control signals to operate a high or low priority control on pulsed width modulation.

FEATURES

- * 24 Volt supply
- * 24 Volt AC Triac operated outputs
- * Adjustable pulsed width modulation from 0-10 Volt control input.
- * Optional second input for high or low priority control.
- * DIN Rail mounting

SPECIFICATION

Input	0-10 Volt or (1 or 2 control signals)
Output	24V AC Triacs 500mA max.
Power Supply	24 Volts AC
Power Consumption	10mA plus output rating
Selectable Options	sw1-5 (Pulse time) 10 to 320 seconds sw6 highest/lowest priority
Terminals	Max. cable size 2.5mm
Operating Temperature	-10 to +40°C
Dimensions	82mm High 45mm Wide 42mm Deep
Mounting	DIN Rail
Order Code	IO/ATO2



Measurement Devices for Control Systems

Titan Products Ltd.
 Unit 7 Southside, Bredbury Park Industrial Estate, Bredbury
 Stockport SK6 2SP England.
 Tel :- 0161 406 6480 Fax :- 0161 494 8309
 E-mail: admin@titanproducts.com
 Website: www.titanproducts.com

© Copyright Titan Products Ltd. 2001