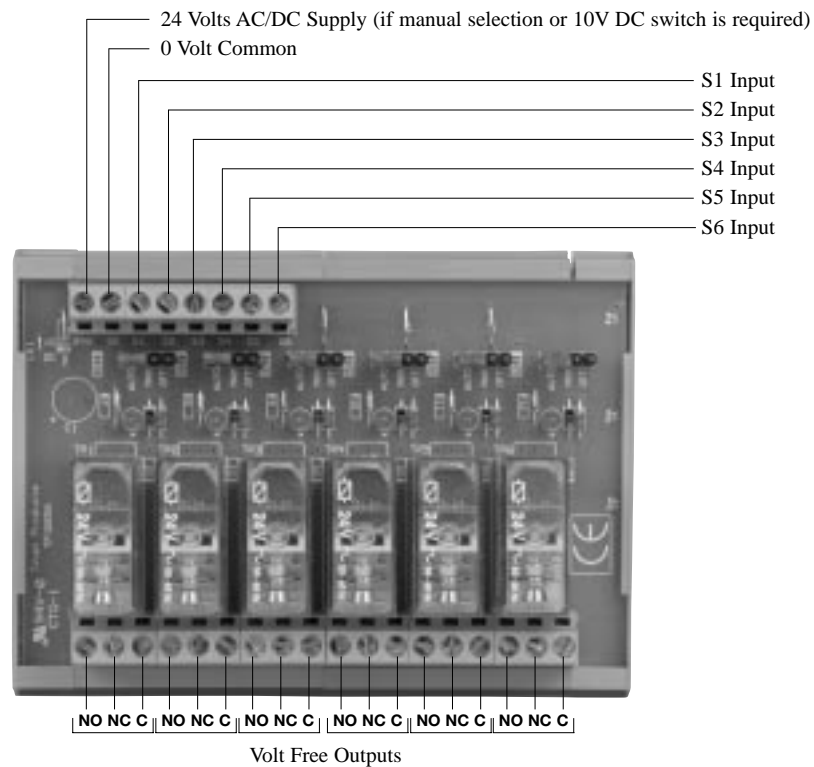


INPUT/OUTPUT MODULE:- IO/R3M & R4M & R6M Relay Module



Note:- For 24V AC switching inputs the power supply must be 24V AC

DESCRIPTION

The relay modules provide interface to a variety of AC and DC switching circuits.

The standard modules accept 24 Volts AC switching for use with Triac switched inputs or a 10 Volts input control signal can be used when low current switching is required. Other operating voltages are available on request.

FEATURES

- * 24 Volts AC or DC supply (AC when Triac switching is used)
- * 24 Volts AC or 10 Volts DC inputs available
- * 3, 4 or 6 relay versions
- * Volt Free changeover contacts
- * Auto/Manual/Off selections
- * LED status indication
- * DIN Rail mounting

SPECIFICATION

Input	24V AC or 0-10V DC Specify requirements		
Output	Volt free 5A @ 240V AC		
Power Supply	24V AC/DC \pm 15%		
Power Consumption	170mA max. (6 relay module)		
LED indication	Relays energised		
Selectable Links	Auto/Man/Off		
Terminals	1.0 mm		
Operating Temp	-10 to +40°C		
Dimensions	R3M	R4M	R6M
High	82	82	82
Wide	68	80	113
Deep	50	50	50
Mounting	DIN Rail		
Order Code	IO/R3M/24V	24V AC switching	
	IO/R3M/10V	10V DC switching	
	IO/R4M/24V	24V AC switching	
	IO/R4M/10V	10V DC switching	
	IO/R6M/24V	24V AC switching	
	IO/R6M/10V	10V DC switching	
	Other voltages available on request		



Measurement Devices for Control Systems

Titan Products Ltd.
Unit 7 Southside, Bredbury Park Industrial Estate, Bredbury
Stockport SK6 2SP England.

Tel :- 0161 406 6480 Fax :- 0161 494 8309

E-mail: admin@titanproducts.com

Website: www.titanproducts.com

© Copyright Titan Products Ltd. 2002