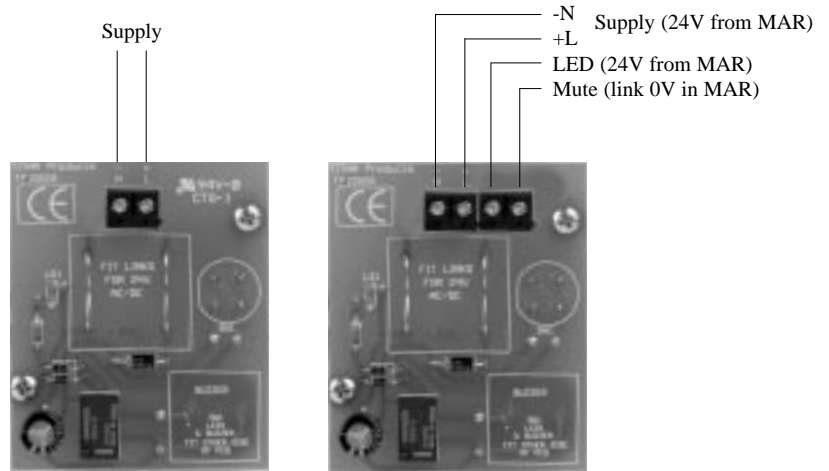


REMOTE ALARM PANEL :- RMP/24, RMP/240 & ARP/24



RMP24/240
with or without delay timer
For use with AIM Alarm Integrators

ARP/24
For use with MAR Alarm Repeaters

DESCRIPTION

The range of remote alarm panels interface to the TITAN Products range of alarm integrators and alarm repeaters.

The RMP & ARP incorporate an audible and visual (LED) indication when an alarm is present with a push button to mute the audible alarm.

Available for 24 Volts or 240 Volts supply inputs with or without time delay option the RMP's are built on a single gang plate for flush or surface mounting. The standard plate finish is white with other plate finishes available on request.

FEATURES

- * Inputs 24 Volts AC /DC or 240 Volts AC
- * Audible alarm is a buzzer 75db @ 1 metre
- * LED indication of alarm present
- * Optional delay timer adjustable 0 to 30 seconds
- * Flush or surface mounting

SPECIFICATION

Input/Supply	24V AC/DC or 240V AC Specify requirements
Output	Buzzer and LED
Power Consumption	30mA max.
LED indication	On "Alarm"
Terminals	1.0 mm
Operating Temp	-10 to +40°C
Dimensions	82 mm high 80 mm wide 50 mm deep
Mounting	Single gang flush plate Optional surface box
Order Code	RMP/24 24V Supply RMP/24/D 24V Supply with delay timer RMP/240 240V Supply RMP/240/D 240V Supply with delay timer ARP/24 24V 4 wire for use with MAR Other voltages available on request



Measurement Devices for Control Systems

Titan Products Ltd.
Unit 7 Southside, Bredbury Park Industrial Estate, Bredbury
Stockport SK6 2SP England.
Tel :- 0161 406 6480 Fax :- 0161 494 8309
E-mail: admin@titanproducts.com
Website: www.titanproducts.com

© Copyright Titan Products Ltd. 2002