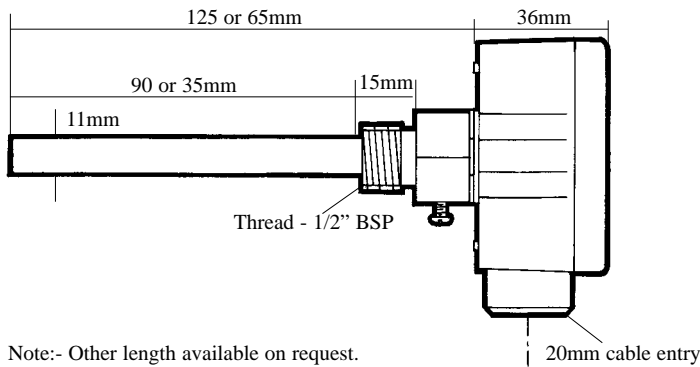
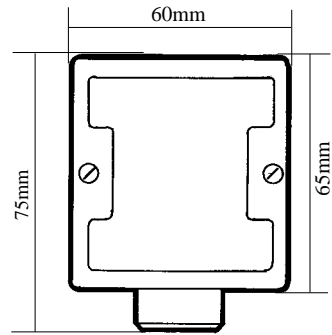
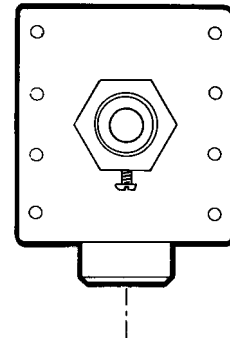


## IMMERSION TEMPERATURE SENSOR:- TPIS



Note:- Other length available on request.



### DESCRIPTION

The TPIS temperature sensor is designed to measure temperature conditions in liquid flow lines. The standard sensor body is IP65 rated made from Flame Retardant Polycarbonate. The sensor element is enclosed in a rigid stem which is mounted into a pocket with options for brass or stainless steel.

The TPIS is available in two standard lengths 65mm or 125mm probe with other lengths made to order.

For chilled water applications the TPIS/R sensor stem, sensor element and terminal board is epoxy sealed to prevent the influence of condensation in low temperature conditions.

For medium and high pressure systems above 110° the TPIS/H is supplied with an aluminium die cast body.

### FEATURES

- \* IP 65 housing
- \* Flame Retardant Polycarbonate Body or Die Cast Aluminium
- \* Brass or Stainless Steel Pocket
- \* 65mm or 125mm length probes (other lengths made to order)
- \* Optional encapsulated sensor TPIS/R for chilled water applications
- \* Available with all temperature measurement elements

### SPECIFICATION

Material:-	Body:-	Flame Retardant Polycarbonate
	Stem:-	Brass
	Pocket:-	Brass or Stainless Steel
Sensing Elements:-		All Thermistors
		PT100
		PT1000
		0-10V
		4-20mA
Accuracy:-		±0.2°C @ 70°C Thermistor
		± 0.1°C 4-20mA
		± 0.5°C 0-10 Volts
Operating Temperature:-		-40 to + 110°C standard body
		-40 to + 150°C die cast body
Terminals:-		1.0mm recommended 2.5mm max.
Location:-		Positioned to measure the controlled condition
Order Code:-		TPIS/ State R for chilled water, H for high temp
For further options contact TITAN		state SS for stainless steel pocket state 65 or 125 for length required state sensor element required



Measurement Devices for Control Systems

Titan Products Ltd.  
Unit 7 Southside, Bredbury Park Industrial Estate, Bredbury  
Stockport SK6 2SP England.  
Tel :- 0161 406 6480 Fax :- 0161 494 8309  
E-mail: admin@titanproducts.com  
Website: www.titanproducts.com

© Copyright Titan Products Ltd. 2002