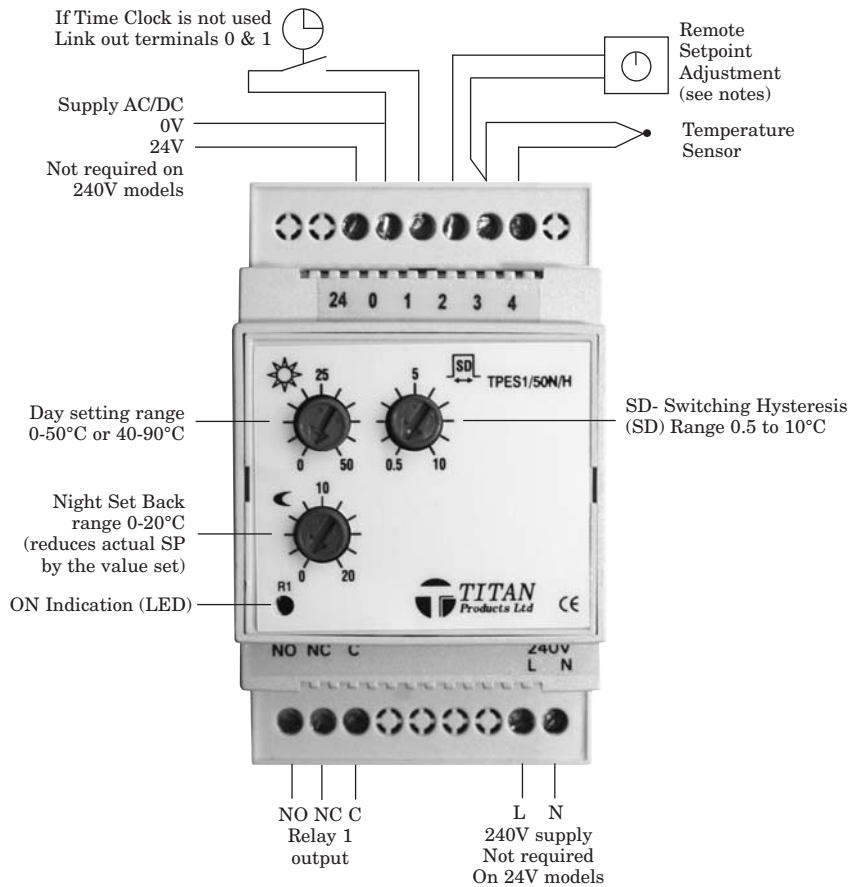


ELECTRONIC THERMOSTAT: TPES1/50 & 90

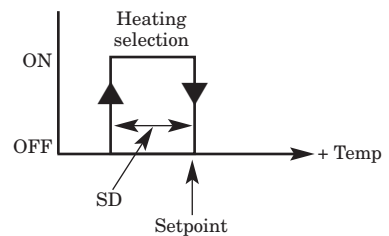


Wiring and Set-up notes: -

If no time clock is used fit link across terminals 0 & 1

If time control is required but Night setting is not required then fit time clock in main supply to remove power for Off condition (no NSB) and fit link across terminals 0 and 1.

If remote setpoint is connected the control setting is automatically moved to the remote SP. See notes of RSA action for operation.



1 stage Heating

DESCRIPTION

The TPES range of electronic thermostats are suitable for applications involving single stage control. There are two temperature ranges 0-50°C or 40 to 90°C and both types can have a remote setting, external ON/OFF as well as an option for night setpoint. The controller output relay is rated at 15 amp max.

The Electronic Thermostats will operate on 24 Volts AC/DC or 240V AC dependant on product ordered and they are designed for DIN rail mounting.

FEATURES

- * Single stage control (volfree changeover contacts)
- * 0-50 & 40-90°C range options
- * Day and Night Settings
- * 24V or 240V Supply options
- * Output Contacts rated at 15 amps
- * LED output indication
- * Din Rail Mounting

SPECIFICATION

Supply	24VAC/DC or 240V AC + 15%
Input	10K3 Thermistor temperature sensor Remote Setpoint (resistance)
Output	VFC Relay rated at 15 amp max
Control Accuracy	+ 0.5°C
Power Consumption	40mA max
Settings	Setpoint Hysteresis Remote setpoint Night setpoint
LED indication	Relay ON
Operating Temperature	-10 to +40°C
Dimensions	92mm high x 53mm wide x 62mm deep



Measurement Devices for Control Systems

Titan Products Ltd.
Unit 7 Southside, Bredbury Park Industrial Estate, Bredbury,
Stockport SK6 2SP England.
Tel:- 0161 406 6480 Fax:- 0161 494 8309
E-mail :- admin@titanproducts.com
Website :- www.titanproducts.com

© Copyright Titan products Ltd. 2006

REMOTE SETPOINT OPERATION

All setpoint potentiometers are of the same resistance value and there are two options for the operation of the Remote Setpoint Adjuster (RSA).

Full range operation

Turn the controller Setpoint down to zero/minimum (fully anticlockwise) and connect the RSA as shown in the circuit diagram. This automatically moves the full scale setting range to the RSA (when the controller is powered up).

Restricted Range $\pm 5^{\circ}\text{C}$

Select the desired operational setpoint on the controller SP (this must be above 5°C from the minimum setting). When an RSA is connected it is automatically detected and provides a $\pm 5^{\circ}\text{C}$ of adjustment from the actual controller SP.

There are a number of different Remote Setpoint Adjusters available and these are listed in the order code section

Order Codes

Thermostats 24V or 240V options

TPES1/50N/H/24V	Single Stage 0-50°C
TPES1/90N/H/24V	Single Stage 40-90°C
TPES1/50N/H/240V	Single Stage 0-50°C
TPES1/90N/H/240V	Single Stage 40-90°C

Compatible Temperature sensors (10K3A1)

TPTRS	Room temperature sensor
TPTDS/S	Duct temperature sensor
TPTIS	Immersion Temperature sensor
TPTCS	Clamp On temperature sensor

Remote Setpoint Adjuster (2 wire 10560 ohms to 560 ohms)

TPT/RSA+/-	Room Enclosure with temperature sensor and setpoint scale +/-
TPT/RSA5	Room Enclosure with temperature sensor and setpoint scale +/-5
RSA50	Room enclosure range 0-50°C
TPT/RSA50	Room enclosure with temperature sensor and setpoint scale 0-50
RSA5/PM	Panel Mount $\pm 5^{\circ}\text{C}$
RSA50/PM	Panel Mount 0-50°C
RSA90/PM	Panel Mount 40-90°C.