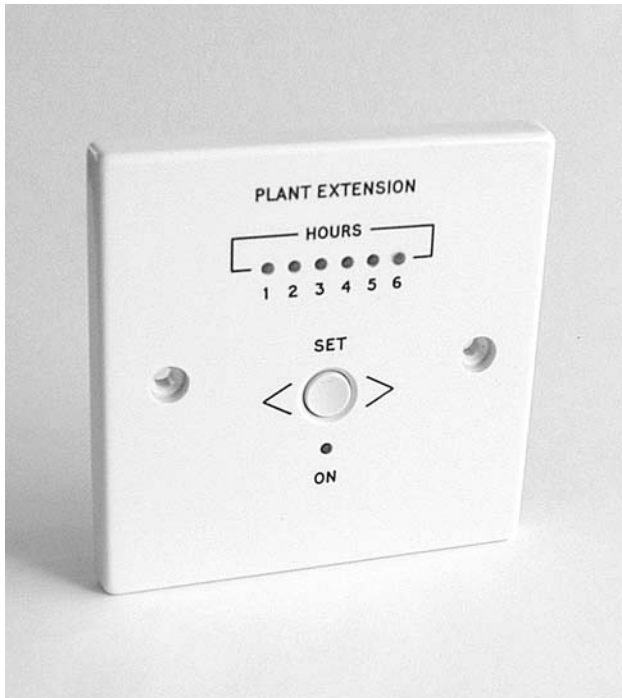
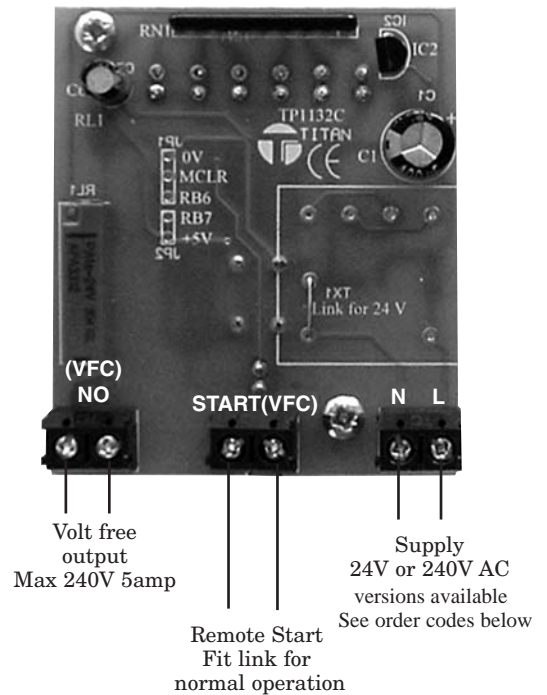


## PLANT EXTENSION TIMER: - TP/EXT1 (24V or 240V)



## CONNECTIONS



### OPERATION

Press the push button to select the extension time required. The LED's move up/down with each push to indicate the hours. If a link is fitted across the terminals marked "START (VFC)" then the timer will start and the ON LED will indicate timer is activated. The Extension Timer LED's will count down the hours left to run. If Remote Start is applied then the timer is activated from the remote signal (contact closed) and the operation is as stated above. To cancel a selected Extension Time press the push button until all hours LED's are off. Opening the Start contacts will also cancel the remaining run time.

### DESCRIPTION

The TP/EXT1 plant extension timer is designed to extend the normal period of run time of a system for a selected time up to 6 hours. The plant extension timer operates a set of normally open volt free contacts and is available for 24VAC or 240VAC operation. The LEDS indicate the hours set/remaining for the extended period of operation.

The TP/EXT1 incorporates a remote start facility which allows the extension timer to be set at any time but will not run until a start signal is received. A useful application of this is to automatically initiate the extension timer when the system switches off at the end of a normal period of operation.

### FEATURES

- \* 0-6 Hours Extension Timer
- \* 240V or 24V supply versions available (see order codes)
- \* Voltfree relay
- \* Remote start option
- \* LED Indication of Hours Extension
- \* LED ON Indication
- \* Flush or Surface mounting

### SPECIFICATION

Supply	240V AC or 24VAC/DC
Power Consumption	20mA max.
Output	Voltfree relay rated at 240V 5amp
Settings	0-6 hours
LED Indication	Extension Hours & ON
Terminals	1.0mm
Operating Temp	-10 +40°C
Dimensions	Flush mounting Plate 85mm high 85mm wide 10mm deep Optional surface box 38mm deep
Order Codes	TP/EXT1/24 24V TP/EXT1/240 240V



Measurement Devices for Control Systems

Titan Products Ltd.  
Unit 7 Southside, Bredbury Park Industrial Estate, Bredbury,  
Stockport SK6 2SP England.  
Tel:- 0161 406 6480 Fax:- 0161 494 8309  
E-mail :- admin@titanproducts.com  
Website :- www.titanproducts.com

© Copyright Titan products Ltd. 2004