

Room Averaging Temperature Sensor



The TPRS/AV sensor is designed to measure the average inside temperature across open areas such as offices.

The TPRS/AV is available with all temperature measurement elements compatible with most leading BMS controls.

Standard colour options Grey, White or Black.

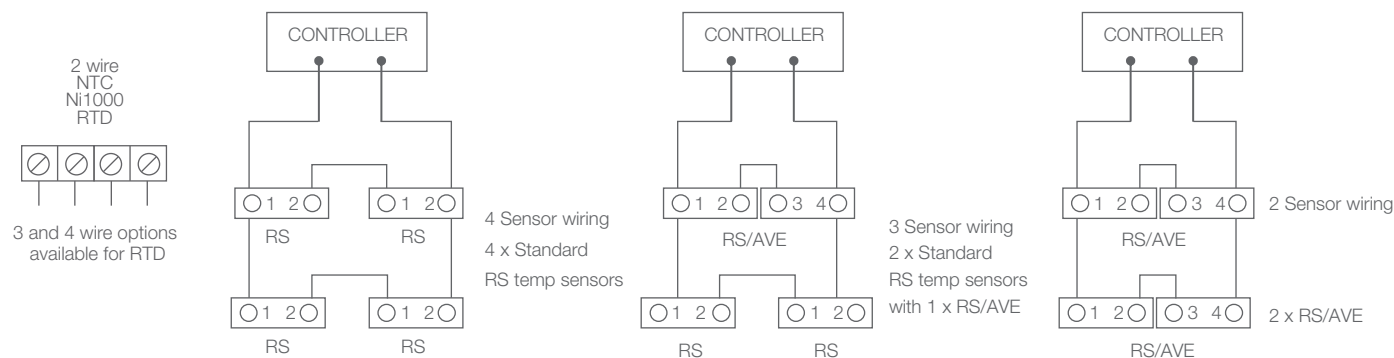
Specification

Material Body:	Flame Retardant Polycarbonate
Sensing Elements:	See Below
Accuracy :	±0.2°C @ 70°C Thermistor
Operating Temperature:	-10 to + 70°C
Terminals:	1.0mm recommended 2.5mm max
Location:	Wall mounted 1.5m from floor level
Dimensions:	80mm high, 80mm wide, 29mm deep
Protection:	IP20
Product Code:	See below

Product Codes

Element Type	System Compatibility	Standard Room Product Codes	Accuracy
1.8K7	TAC	TPTAC/RS/AV	±0.2°C
2.2K3A1	Johnsons / Ambiflex	TPRS/2K2/AV	±0.2°C
3K3A1	Alerton	TPTS-R/U/AV	±0.2°C
10K3A1	Trend / Jel / Honeywell Aquatrol 2000 / Ambiflex / Next / Smart / York	TPTRS/AV	±0.2°C
10K4A1	Andover / Automatrix / York / Siebe	TPARS/AV	±0.2°C
20K6A1	Honeywell	TPHRS/AV	±0.2°C
30K6A1	Drayton	TPDRS/AV	±0.2°C
100K6A1	York (> +40°C)	TPRS/100K6/AV	±0.2°C
Satchwell	Satchwell T Range	TPSRS2453/AV	±0.2°C
Satchwell	Satchwell DR Range	TPSRS2253/AV	±0.2°C
Staeefa T1	Staeefa T1	TPT1RS/AV	±0.4°C
Staeefa T30	Staeefa T30	TPT30RS/AV	±0.4°C
Ni1000	Landis & Gyr	TPRS/Ni1000/AV	±0.4°C
PT100	PT100	TPPT2RS/AV	±0.3°C
PT1000	PT1000	TPPT3RS/AV	±0.3°C

Wiring



Dimensions

