



RSA/PM – Remote Setpoint Adjuster (for Panel Mounting)

The RSA-PM is a range of set point adjusters designed for flush panel mount assembly and for use with TITAN range of temperature controllers or for applications with other manufactures controllers or BMS systems. The set point adjusters are available with resistance potentiometer or with 0-10V output. Standard scale ranges are available with options for customer specific ranges on request.

Option for flush panel plate mounting available.

Specification

Material Assembly:	ABS Plastic
Power Consumption:	Resistance (none)
Output:	Resistance Potentiometer 0-10V @ 5mA max Requires 24V AC/DC supply
Ranges:	See standard ranges Custom ranges to order
Mounting:	Flush Panel Mount
Product Code:	RSA/PM (state range) RSA10V/pm (state range) See Table for full order codes

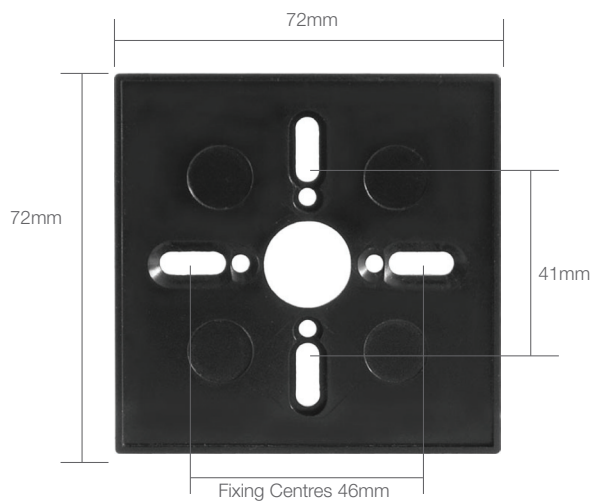
Product Codes

Type	Scale Range	Compatible Controllers	Output
RSA+/- PM	+/-	General Purpose use	1050-560 ohms
RSA5/PM	+/- 5°C	ATC35, DTC35, ATC190C, ITC190C	1050-560 ohms
RSA10/PM	+/- 10°C	ATC190, ITC190	1050-560 ohms
RSA35/PM	5-35°C	ATC35, DTC35, TTC2	1050-560 ohms
RSA50/PM	0-50°C	TPES50	1050-560 ohms
RSA390/PM	30-90°C	ATC190, ITC190	1050-560 ohms
RSA490/PM	40-90°C	TPES90	1050-560 ohms
RSA100%/PM	0-100%	ATC10V	1050-560 ohms
RSA10V+/-/PM	+/-	General Use	0-10V (requires 24V AC/DC Supply)
RSA10V100%/PM	0-100%	0-10V signal for 0-100%	0-10V (requires 24V AC/DC Supply)
RSA10V5/PM	+/-5°C	0-10V signal for -5 to 5 °C	0-10V (requires 24V AC/DC Supply)
RSA10V10/PM	+/-10°C	0-10V signal for -10 to 10 °C	0-10V (requires 24V AC/DC Supply)
RSA10V/AM/PM	0-100%	Auto / Manual switch with 0-10V output	0-10V (requires 24V AC/DC Supply)

* NOTE: The scales and values shown in the table are mainly for use with TITAN Products range of controllers. The potentiometer resistance ranges can be altered to suit customer requirements for example 1K to 11K resistance output. Also the 10V output can be made for 0-5V output and customer specific ranges on both resistance and voltage RSA's can be supplied.

RSA's for Titan BACnet enabled controllers are all 1-11k or 0-10V. Consult sales office for appropriate product codes.

Fixings And Sizes



Dimensions

