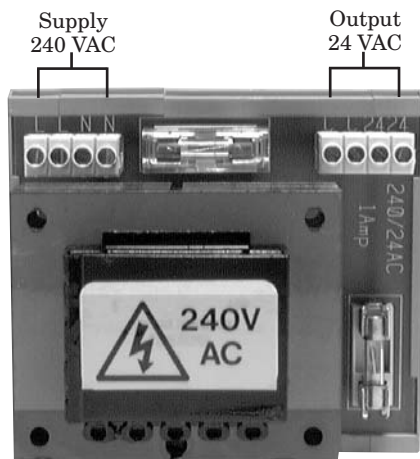
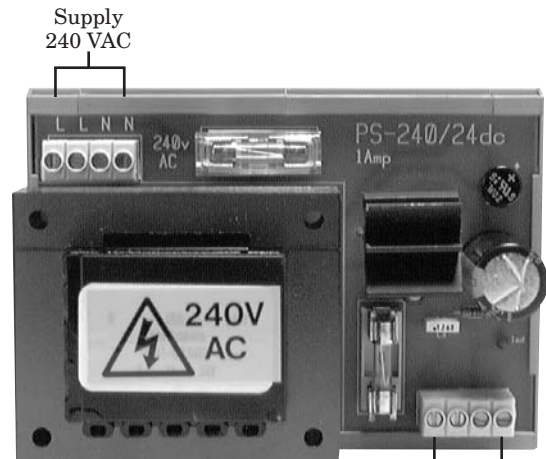


POWER SUPPLIES :- 24 VOLTS AC or DC



AC/PSU 24VA



DC/PSU 24VA

24 VDC
Output



AC/PSU 12VA



DC/PSU 12VA

DESCRIPTION

A range of low cost power supply modules used to provide 24 volt AC or DC for various low voltage control applications. All power supplies incorporate fuse protection with the 12VA models being protected by a self resetting fuse.

FEATURES

- * LED indication on the 24VA DC and 12VA Models
- * Output short circuit fuse protection
- * Rising cage terminals
- * DIN Rail mounting

Note :- These Power supplies are designed for panel mounting and should only be used within an insulated housing.

SPECIFICATION

Inputs	240 Volts AC
Outputs	24 Volts AC 24 Volts DC
Power Output	24VA or 12VA
LED indication	24VA DC and 12VA models
Terminals	Max cable size 2.5mm
Operating Temperature	-10 to +40°C
Dimensions	H W D
	AC 24 VA 82mm 90mm 80mm
	AC 12 VA 92mm 53mm 58mm
	DC 24 VA 82mm 110mm 80mm
	DC 12 VA 92mm 71mm 58mm
Mounting	DIN Rail

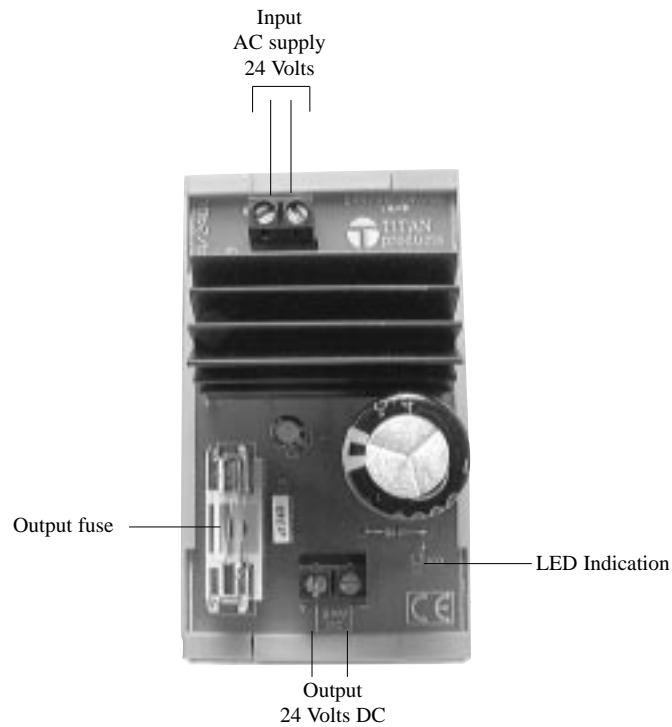


Measurement Devices for Control Systems

Titan Products Ltd.
Unit 7 Southside, Bredbury Park Industrial Estate, Bredbury,
Stockport SK6 2SP England.
Tel:- 0161 406 6480 Fax:- 0161 494 8309
E-mail :- admin@titanproducts.com
Website :- www.titanproducts.com

© Copyright Titan products Ltd. 2006

POWER SUPPLY UNIT:- 24 VOLT AC TO DC CONVERTER



Note: For common ground applications
use 0 Volt input and - output.

DESCRIPTION

The TP24-AC/DC converter is a low cost DIN rail mounted power supply to provide a regulated 24 Volt DC supply from 24 Volt AC input.

There are two versions available. The TP24-AC/DC-F providing full wave rectification for use with floating supplies and the TP24-AC/DC-C for use with common ground applications.

FEATURES

- * Regulated DC supply
- * Floating or common ground applications
- * Power on LED
- * Fused output
- * DIN Rail mounting

SPECIFICATION

Input:-	24 Volts AC
Output:-	24 Volts DC
Power Output:-	1.0 Amp TP24-AC/DC-F 0.5 Amp TP24-AC/DC-C
Indication:-	Power On LED
Terminals:-	1.0mm
Operating temperature:-	-10 to + 40°C
Dimensions:-	80mm High x 45mm Wide x 55mm Deep
Mounting:-	DIN Rail
Order Code:-	TP24-AC/DC-F Floating supplies TP24-AC/DC-C Common ground supplies



Measurement Devices for Control Systems

Titan Products Ltd.
Unit 7 Southside, Bredbury Park Industrial Estate, Bredbury
Stockport SK6 2SP England.
Tel :- 0161 406 6480 Fax :- 0161 494 8309
E-mail: admin@titanproducts.com
Website: www.titanproducts.com

© Copyright Titan Products Ltd. 2002