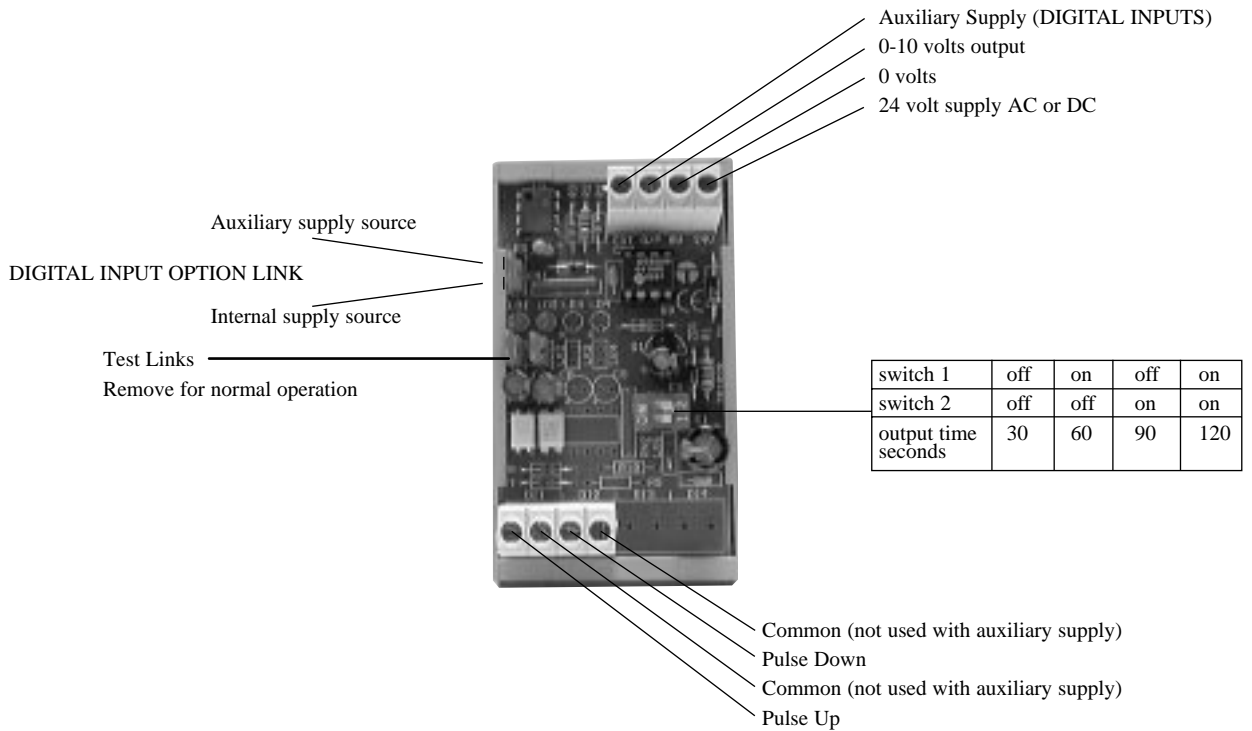


INPUT/OUTPUT MODULE:- IO/PDV PULSE MODULATION TO 0-10 VOLTS



DESCRIPTION

The IO/PDV is designed to convert pulsed modulating control to an analogue voltage based output of 0-10 volts. The output time base is adjustable to enable connection to controllers with a fixed pulsed modulating control. The 2 x digital inputs can be volt free contacts or triac switched (20 to 50 volts AC) when auxiliary supply is selected.

The IO/PDV output is directly proportional to the time base of the input signal making it suitable for preset positioning of dampers in VAV applications.

FEATURES

- * Converts pulse modulation to analogue output
- * Proportional linear output to timed digital input
- * 0-10 volts output
- * 24 volt AC or DC supply
- * Time base adjustment
- * Opto isolated inputs
- * Din Rail mounting

SPECIFICATION

Input :-	Volt Free or up to 50 volt (AC) signal (minimum pulse time 100 milli seconds)
Output :-	0-10 volt
Selectable options :-	Time base adjustment (see table) DI supply (volt free or auxiliary)
Power supply :-	24 volt AC or DC
Power consumption :-	0.25 VA
Operating temperature :-	0 to +40°C
Terminals :-	1.0mm
Dimensions :-	82mm High 45mm Wide 45mm Deep
Mounting :-	Din Rail
Order Code :-	IO/PDV



Measurement Devices for Control Systems

Titan Products Ltd.
 Unit 7 Southside, Bredbury Park Industrial Estate, Bredbury
 Stockport SK6 2SP England.
 Tel :- 0161 406 6480 Fax :- 0161 494 8309
 E-mail: admin@titanproducts.com
 Website: www.titanproducts.com

© Copyright Titan Products Ltd. 2000