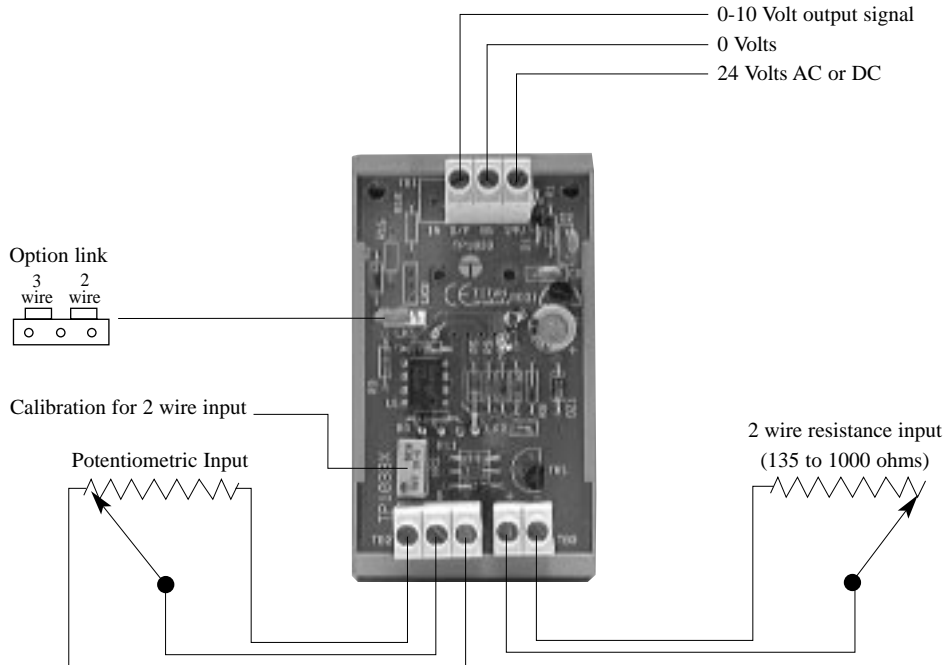


INPUT/OUTPUT MODULE:- IO/RIM RESISTANCE to VOLTAGE



DESCRIPTION

The IO/RIM converts potentiometric 3 wire or resistance 2 wire (135 to 1000 ohms) input to 0-10 Volt DC signal.

The IO/RIM will provide a proportional output to any value of resistance input with the minimum input value being 135 ohms.

The IO/RIM module is suitable for converting potentiometric control signals such as Honeywell 135 or to provide voltage reset/positioning from a resistive 2 wire input.

FEATURES

- * 24 Volt AC or DC supply
- * Potentiometric/Resistance to voltage conversion
- * Proportional output to input
- * Optional 2 or 3 wire resistance inputs
- * 0-10 Volt output
- * DIN Rail mounting

SPECIFICATION

Input	2 wire resistance (135 to 1000 ohms) 3 wire potentiometric
Output	0-10 Volts DC
Power supply	24 Volts AC/DC
Power consumption	0.25 VA
Terminals	Max. cable size 2.5mm
Operating temperature	-10 to +40°C
Dimensions	82mm High 45mm Wide 45mm Deep
Mounting	DIN Rail
Order Code	IO/RIM



Measurement Devices for Control Systems

Titan Products Ltd.
Unit 7 Southside, Bredbury Park Industrial Estate, Bredbury
Stockport SK6 2SP England.
Tel :- 0161 406 6480 Fax :- 0161 494 8309
E-mail: admin@titanproducts.com
Website: www.titanproducts.com

© Copyright Titan Products Ltd. 2001

Ref. M-016 06/2001

