

# Zigbee Wireless Outside Temperature Sensor



The Titan Products Wireless Outside Temperature Sensor is designed to wirelessly monitor the outside temperature and transmit the data over a Zigbee wireless network back to the Titan Products Co-ordinator.

Self-healing, mesh networking can be achieved through adding TPZ-Net Repeaters to the network.

Using a frequency of 2.4GHz the transmission between the TPZOS Wireless Outside Temperature Sensor and Co-ordinator is carried out after a timing schedule or a specific change in measurement which is set during commissioning (see below table).

The TPZOS uses a 3.6V, 2600mAh lithium thionyl chloride battery. This eradicates the need for wiring to the unit making it extremely easy and cost effective to install.

The TPZOS is rated at IP65.

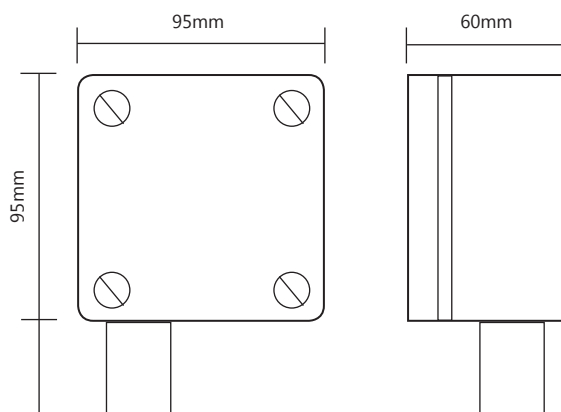
## Specification

Power Supply:	3.6V, 2600mAh lithium thionyl chloride battery
Battery Life:	Up to 5 years (depending on transmission intervals)
Network Technology:	Zigbee
Transmission Frequency:	2.4GHz
Transmission Power:	8dBm
Transmission Range:	30m-60m indoor (depending on building type) 200m outdoor (line of sight)
Measurement Accuracy:	+/- 0.5°C
Operating Range:	-20 - +50°C
Material:	IP65 flame retardant polycarbonate
Dimensions (mm):	95 x 95 x 60
Country of Origin:	UK
Product Codes:	TPZOS



Note: It is strongly recommended a site survey is carried out prior to installing any wireless sensors

## Dimensions



## Editable Values

Transmission Interval (minutes)	Change of value (temp °C)
2	0.5
5	1.0
10	2.0
15	3.0
30	4.0
60	5.0

## Features

- Zigbee wireless technology
- Self healing, mesh network technology
- Adjustable transmission timings and values
- Easy to set up
- +/- 0.5°C accuracy
- Up to 99 sensor points per co-ordinator
- Up to 30 end devices per co-ordinator
- Designed and manufactured in the UK

Titan Products are proud members of the Zigbee Alliance.



For information on Titan Products Zigbee sensors please contact the sales team on +44 (0)161 406 6480