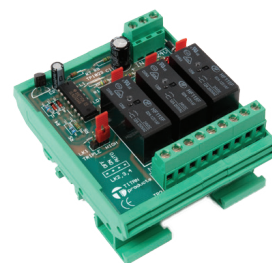


3 Stage Relay Control



The IO/RM3 is used to convert an analogue 0-10V control signal to 3 stages of relay switching output. The IO/RM3 offers two selectable control options:-

Option 1: Heat/Cool used to sequence control 3 functions such as FAN/COOL/HEAT.

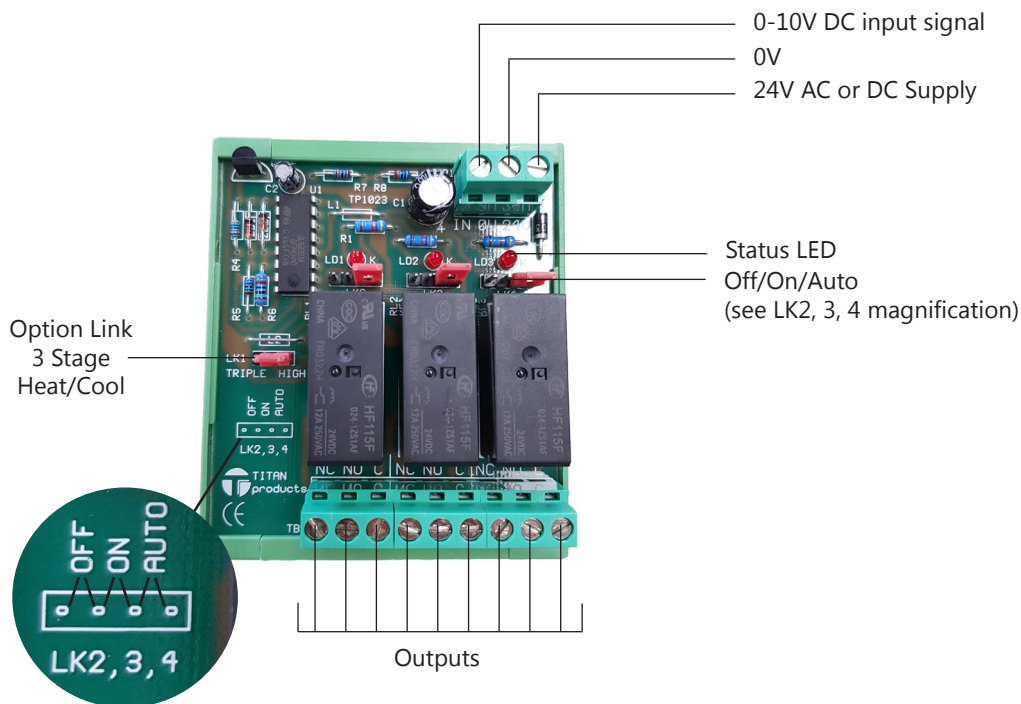
Option 2: Step control used to operate 3 stages of plant such as Boilers, Chillers, Electric Heating and particularly used for switching 3 speed fans.

The IO/RM3 three stage relay module is suitable for use with most BMS controllers.

Specification

Power Supply:	24V AC/DC +/-10%
Input (Signal):	0-10V DC (load 0.5mA max)
Output Contacts:	3 x Volt free 5A at 240V AC (inductive)
Power Consumption:	90mA max
Switching Volts:	See table
Selectable Options:	-Heat/Cool or 3 Stage -Off/Man/Auto
LED Indication:	When relay energised
Terminals:	1.0mm recommended 2.5mm max
Operating Temperature:	0 - 50°C
Operating Humidity:	5-80% non-condensing
Dimensions (mm):	82H x 66W x 50D
Mounting:	DIN rail
Country of Origin:	UK
Product Code:	IO/RM3

Connections



Switching Volts

Switching Voltages	Heat / Cool (High)			3 Stage Control (Triple)		
	R1	R2	R3	R1	R2	R3
0	Off	Off	Off	Off	Off	Off
3	On	On	Off	On	Off	Off
6	On	Off	Off	On	On	Off
9	On	Off	On	On	On	On