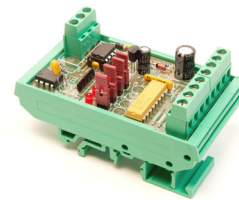


# Digital Input Multiplexer (DIM4)



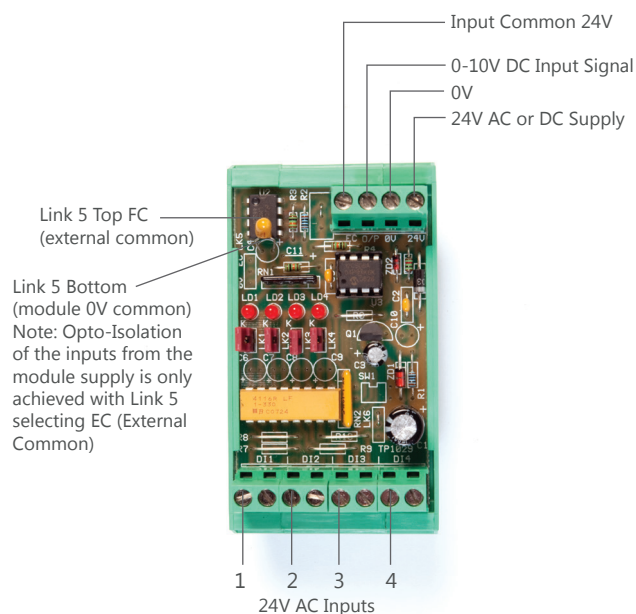
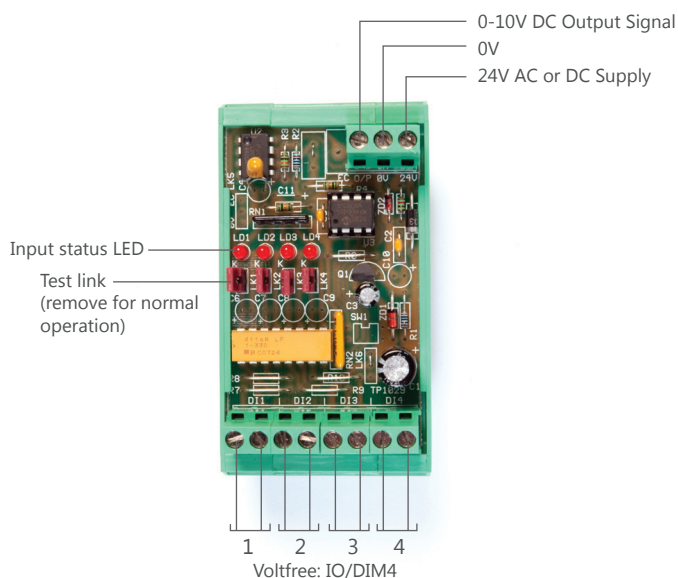
The DIM4 multiplexer is microprocessor based and designed to convert 4 separate digital input signals into a single analogue voltage output. Each combination of digital input signal is converted to an output voltage level which can then be used with a controller to read multiple status conditions.

The DIM4 multiplexer is suitable for use with most BMS controllers and is available in two versions for volt free inputs or opto-isolated inputs.

## Specification

Power Supply:	24V AC/DC +/-10%			
Input:	4 x Volt free contacts (or Opto-isolated)			
Output:	0-10V Volts DC			
Power Consumption:	5mA + 0-10V output load			
Multiplex Format:				
Input Signal:	1	2	3	4
Output Voltage:	4.8V	2.4V	1.2V	0.6V
	(Add values in any combination)			
LED Indication:	When input contact closed			
Terminals:	1.0mm recommended 2.5mm max			
Input Test:	Link Jumpers			
Operating Temperature:	0 to 50°C			
Operating Humidity:	5-80% non-condensing			
Dimensions:	82mm high, 45 mm wide, 42mm deep			
Mounting:	DIN Rail			
Country of Origin:	UK			
Product Codes:	IO/DIM4 IO/DIM4/OI (Opto-isolation)			

## Connections



### Opto-Isolation

The IO/DIM4/OI can accept 24V AC inputs and opto-isolate the inputs from the module supply and the 0-10V signal output. Opto-isolation is selected on Link 5. If isolation is not required and the application is using a common ground supply then Link 5 can select the module 0V for the operation of the 24V AC input signals. The product code for this option is IO/DIM4/OI.

**(Important - only use left hand terminals of each input)**  
**Opto-isolated: IO/DIM4/OI (Max input 50V AC or DC)**